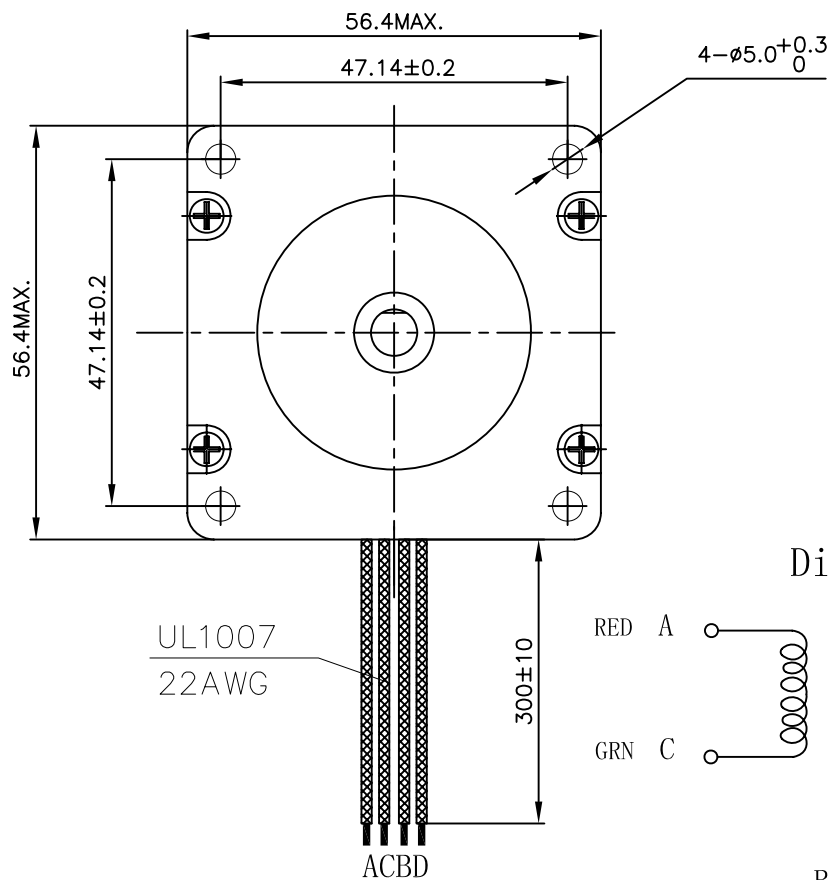
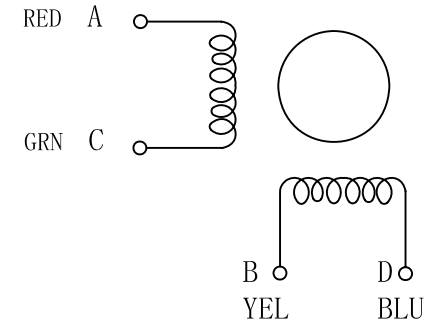


Label

1.8° Stepper Motor
LDO-57STH41-2804B
110311 LDO MOTORS



Diagram



Items	Specs	Items	Specs								
Phase Number	2 phases	Step Angle	1.8° ±5%								
Rated Voltage	2.0 VDC	Rated Current	DC 2.8 A / Phase	A	---	New Release	Danny Z	J. B.	1. 12. 12		
Resistance(20°C)	0.7±15% Ω / phase	Inductance	1.4±20% mH / Phase	REV	ECN NO	Description	Made by	Approve	Date		
Holding Torque	≥5.5 Kg-cm	Detent Torque	0.21 Kg-cm REF.				LDO MOTORS CO.,LTD				
Rotate Direction	ACBDA CW	MAX Starting PPS	≥1500 PPS				Scale	Hybrid Stepper Motor			
MAX slewing PPS	≥2500 PPS	Insulation Resistance	≥100 MΩ (DC 500V)					LDO-57STH41-2804B			
HI POT	AC600V/1mA/1S	Insulation Class	Class B								
Rotor Inertia	120 g.cm ²	Weigth	0.45 Kg REF.	Des.	Check	Appr.	Date	Factory Code	23HD0213-20W-300	page	