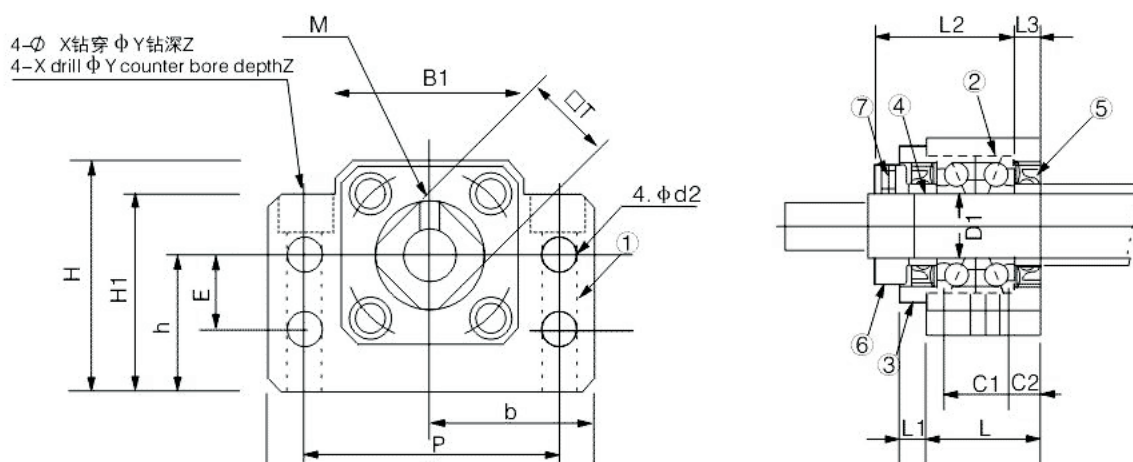


Za Stodolou 144, 251 01 Modletice

Ložiskový domek BK

Model No.	Shaft diameter d1	L				B		h												T	
		L1	L2	L3	B	H	B1	H1	E	P	C1	C2	d2	X	Y	Z	M				
BK12	12	25	6	29	5	60	43	30	25	35	32.5	18	46	13	6	5.5	6.6	11	1.5	M3	19
BK15	15	27	6	32	6	70	48	35	28	40	38	18	54	15	6	5.5	6.6	11	6.5	M3	22
BK17	17	35	9	44	7	86	64	43	39	50	55	28	68	19	8	6.6	9	14	8.5	M4	24
BK20	20	35	8	43	8	88	60	44	34	52	50	22	70	19	8	6.6	9	14	8.5	M4	30
BK25	25	42	12	54	9	106	80	53	48	64	70	33	85	22	10	9	11	17.5	11	M5	35
BK30	30	45	14	61	9	128	89	64	51	76	78	33	102	23	11	11	14	20	13	M6	40
Bk35	35	50	14	67	12	140	86	70	52	88	79	35	114	26	12	11	14	20	13	M8	50



MODEL NUBER BK TYPE	Ball screw outside diameter D	D1	B	E	F	M	S	Cham er		R2MAX	H1 KEYWAY DIMENSION		H2		MODELNUBER BK TYPE		
								C1	C2		R1	N	P	R		P	
BK12	φ 14, φ 15, φ 16, φ 18	12	10	39	15	M12X4	14	0.5	0.5	0.5	0.3	0.3	3X1.8	12	9.5	12	BK12
BK15	φ 18, φ 20	15	12	40	20	M15X1	12	0.5	0.5	0.5	0.3	0.3	4X2.5	16	11.3	16	BK15
BK17	φ 20, φ 25	17	15	53	23	M17X1	17	0.5	0.5	0.5	0.3	0.3	5X3.0	21	14.3	21	BK17
BK20	φ 25, φ 28	20	16	53	25	M20X1	15	0.5	0.5	0.5	0.3	0.3	5X3.0	21	16	21	BK20
BK25	φ 32, φ 36	25	20	65	30	M25X1.5	18	0.5	0.7	1	0.5	0.5	6X3.5	25	19	25	BK25
BK30	φ 36, φ 40	30	25	72	38	M30X1.5	25	0.5	0.7	1	0.5	0.5	8X4.0	32	23.5	32	BK30
Bk35	φ 40, φ 45, φ 50	35	30	83	45	M35X1.5	28	0.5	1	1	0.5	0.5	8X4.0	40	28.5	40	Bk35

